



F720i

The laser coding solution for beverage cans

The **F720i** fibre laser applies high-quality, permanent codes at unmatched production speeds in the harsh beverage environment. Designed for uninterrupted production runs, no-wastage, continuous output, the ultra-flexible **F720i** meets current and future requirements for the widest range of high-legibility coding applications, from track & trace legislative compliance to creative marketing promotions.



High-speed coding – take it to the limit

- ◆ Unique 3D power concentration – short, intense pulses achieve increased marking speeds
- ◆ 90,000 cans/hour – each coded with over 20 characters
- ◆ Exceptional productivity even on concave surfaces

Robust design – tough enough for the harshest conditions

- ◆ IP65 rating – ready for the humid, sugar-laden beverage environment
- ◆ Non-stop production at temperatures up to 45°C

Low Total Cost of Ownership – class-leading ROI

- ◆ Consistent high quality eliminates waste
- ◆ Uninterrupted production runs
- ◆ Sustainable production without fluids or consumables
- ◆ New-design cooling system for low energy consumption

Make the can your marketing medium

- ◆ Get creative with content to inform and engage with customers
- ◆ Code over 60 high-resolution characters in a variety of formats
- ◆ Laser imaging means permanent readability and traceability



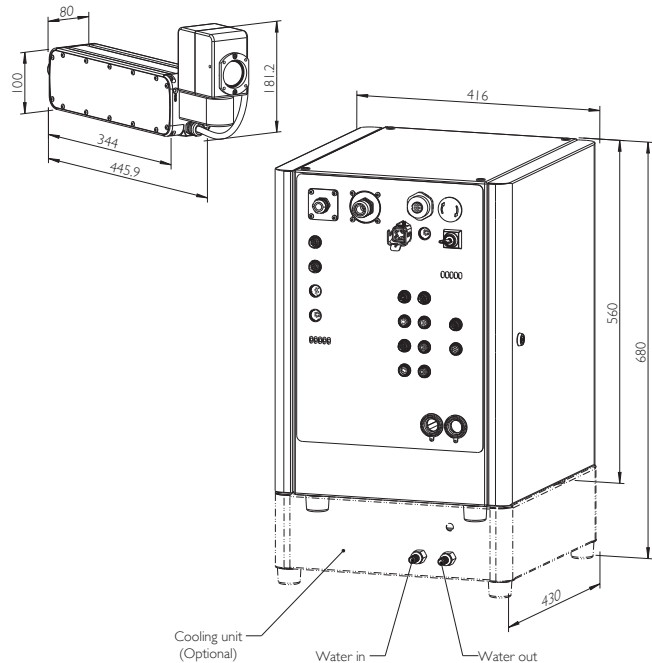
Domino. Do more.



F720i Technical Specifications

Ink free	✓
Characters per second	2000
Line speed	600m/min (1970ft/min)
Text	Full unicode support / 32 different fonts
Graphics & logos	Imported *.bmp (monochrome), *.plt, *.dxf
MRC (1-D and 2-D codes)	✓
Operating temperature	5-35°C (optional up to 45°C)
Humidity	Max. 90% RH, non-condensing
Ingress protection (print head)	IP65
Ingress protection (cabinet)	IP55 (optional IP65)
Laser type	Pulsed fiber laser
Laser power	70W
Laser wavelength	1059 – 1065nm
Pulse peak power	13kW
Conduit length	2.7m (8.9ft)
Material	Stainless steel / aluminum
Power requirement	90-264V, 47-63Hz, 1120VA max.
Power consumption	420VA average (70VA idle)
USB port	✓
RS232 port	✓
Ethernet (10/100 Mbit)	✓
Ethernet/IP	Optional
Laser source life time	100.000h (MTBF)

Not to scale. For illustrative purposes only.



Domino Systems A/S
 Marielundvej 46A
 2730 Herlev

Tlf.: (+45) 70 20 64 16
 E-mail: kontakt@dominosystems.dk



www.dominosystems.dk

F720i/1016 We reserve the right to change the design or specification of our products without notice.

All performance-related figures and claims quoted in this document were obtained under specific conditions and may only be replicated under similar conditions. For specific product details, you should contact your Domino Sales Advisor. This document does not form part of any terms and conditions between you and Domino.