



Gx350i

Clean. Clear. Coding.

The **Gx350i** Thermal Ink Jet (TIJ) printer is Domino's coding specialist for multi-print head operation, fast data transfer, and challenging controller environments across many industries. The small print heads can be mounted up to 25m from the IP64 rated controller. A 10" touchscreen with intuitive user interface enables easy and error-free operation and data input directly on board.



Easy to integrate

- ◆ Small footprint: easy print head integration and remote controller mounting.
- ◆ EtherCAT option: fast data transfer and precise synchronisation for motion control applications.
- ◆ Track & trace and item level serialisation via Dynamark protocol: 21 CFR Part 11 compliant, audit trail with comprehensive user administration, validation documentation available.

Easy to operate

- ◆ Easy printer operation and monitoring using the touch screen or via web browser.
- ◆ Automatic cartridge recognition and ink parameter setting.
- ◆ For uninterrupted production **AutoSwap** enables cartridge change while printing.
- ◆ Operate 4 print heads from one controller for label height up to 50.8mm or multiple individual applications.



Clean. Clear. Coding.

- ◆ Graphic printing quality on paper, card, plastic, metal, and many other materials.
- ◆ Flexible label design: text, counters, clocks, graphics, logos, barcodes can all be included on the same label.
- ◆ Grade A code readability (ISO 15415) using Domino's inks on high density datamatrix codes*.



Scan for more information

Domino. Do more.



Gx-Series print heads

- ◆ Fit easily with only 15.2 x 5.09 x 2.85cm space requirement and 3 connector options (front, back, top).
- ◆ LED status signals show the print status, e.g. which cartridge needs changing.
- ◆ Maintenance-free: exchange of the ink cartridge replaces all printer wear parts.
- ◆ Error-free coding with automatic ink parameter setting.



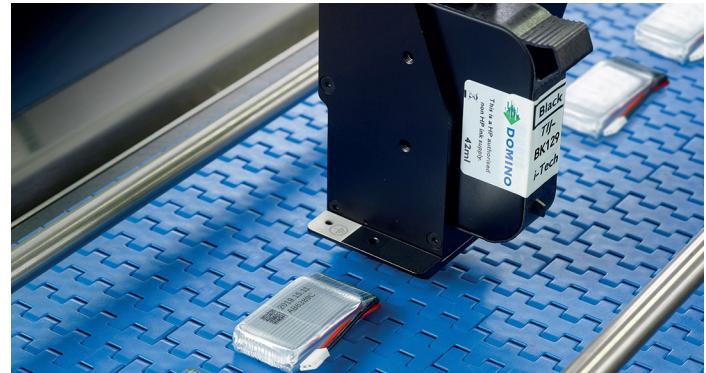
Technical specification

Gx350i	
Controller dimensions	Height: 123.9mm (4.87") / Width: 322.4mm (12.69") Depth: 250.7mm (9.87") / Weight: 6.4kg (14.1lbs)
Print head dimensions	Height: 152mm (5.98") / Width: 50.9mm (2") Depth: 28.5mm (1.12") / Weight: 0.22kg (0.48lbs)
Print head cables	3, 6, 12, or 25m
Print heads per controller	Up to 4 print heads for increased message height or individual printing on up to 4 different print positions
Print height	1 print head: 12.7mm 2 print heads: 25.4mm 3 print heads: 38.1mm 4 print heads: 50.8mm
Print speed and resolution	300m/min at 60dpi to 30m/min at 600dpi
External connection options	2 encoders, I/O for beacons, product detects or other; 2 USBs (type A), RS232C, 2x LAN
Power connector	3-way plug
Electrical supply	100-240 V AC, 50-60 Hz, 3.5 A
Controller operating temperature	0°-45°C (32°-113°F)
Operating relative humidity	20-80% RH (non condensing, 10°C increase per hour)
Controller finish	Stainless steel
Inks	A range of fast-drying water and solvent-based inks for porous and non-porous substrates, black, colours and specialist inks
i-Techx features	Automatic ink cartridge detection, automatic ink parameter setting, automatic ink level recording
Communication	Ethernet / Dynamark protocol, EDC (serial, TCP, USB) optional: EtherCAT protocol
User interface	QuickStep via 10" touch screen or customer HMI

* module size 40x40, ≤ 169 characters

www.dominosystems.dk

Gx350_0420 EN All performance related figures and claims quoted in this document were obtained under specific conditions and may only be replicated under similar conditions. For specific product details, you should contact your Domino Sales Advisor. This document does not form part of any terms and conditions between you and Domino. Images may include optional extras or upgrades. Print quality may differ depending on consumables, printer, substrates and other factors. Images and photographs do not form any part of any terms and conditions between you and Domino.

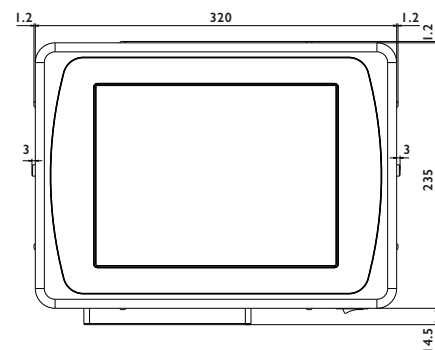


User interfaces

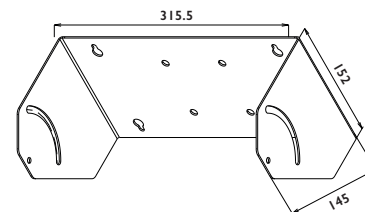
Domino offers a range of interfaces on the printer, on a PC and directly to our Cloud based dashboards

- ◆ Easy operation using the **QuickStep** interface on the touchscreen or via web browser on your HMI.
- ◆ Monitoring screens display live information about the printer; connection to Domino Cloud adds remote monitoring and diagnostics.
- ◆ Access levels can be defined to ensure safe handling.
- ◆ Label creation and editing are simple using the **QuickStep** Label Creator or our PC-based design software.
- ◆ Coding Automation solutions to populate data directly from a database and control changeovers from your ERP or MES system.

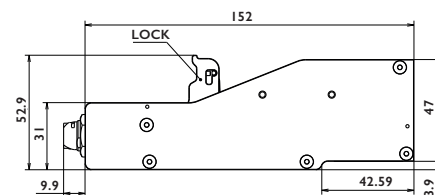
Gx350i controller



Printer bracket



Gx-Series print head



Domino Systems A/S
 Marielundvej 46A
 2730 Herlev
 Tlf.: (+45) 70 20 64 16
 E-mail: kontakt@dominosystems.dk