



# TrojanLabel<sup>®</sup> Specifications



TrojanLabel<sup>®</sup>  
T3-OPX



AstroNova<sup>®</sup>  
Product Identification

Operation	
<b>Ink Type</b>	Pigmented ink, 4 Individual CMYK cartridges
<b>Resolution</b>	<b>High Resolution Mode:</b> 1200 x 1200 optimized dpi from 600 x 600 input dpi. <b>Production Mode:</b> 600 x 1200 optimized dpi from 300 x 300 input dpi.
<b>Print speed</b>	Up to 18 ips (27m/min)
<b>Print Area</b>	Width: 11.7" (297mm)
<b>Media Sensors</b>	- Optical TOF sensor, adjustable position - Pressure sensor for height control

Environmental & Physical	
<b>Printer operation</b>	Operation 20° to 30° C (59° to 86° F) Transport -40° to 60° C (-40° to 140° F) Relative humidity 20 to 80% Altitude 0 to 3048 m
<b>Power requirements</b>	100-240V AC – 50/60 (9A power supply)
<b>Power consumption</b>	Awaiting testing
<b>Print unit dimensions</b>	Width 518 mm Length 516 mm Height 290 mm (excluding height adjustable bracket)
<b>Media cleaning unit dimensions</b>	Width 457.5 mm Length 154 mm Height 261 mm
<b>Touchscreen</b>	15.6"
<b>Print unit weight</b>	20 kg
<b>Media cleaning unit weight</b>	3.5 kg
<b>Drop detection</b>	Print then scan process, using offline scanner (Epson v600).



# TrojanLabel<sup>®</sup> Specifications



TrojanLabel<sup>®</sup>  
T3-OPX



AstroNova<sup>®</sup>  
Product Identification

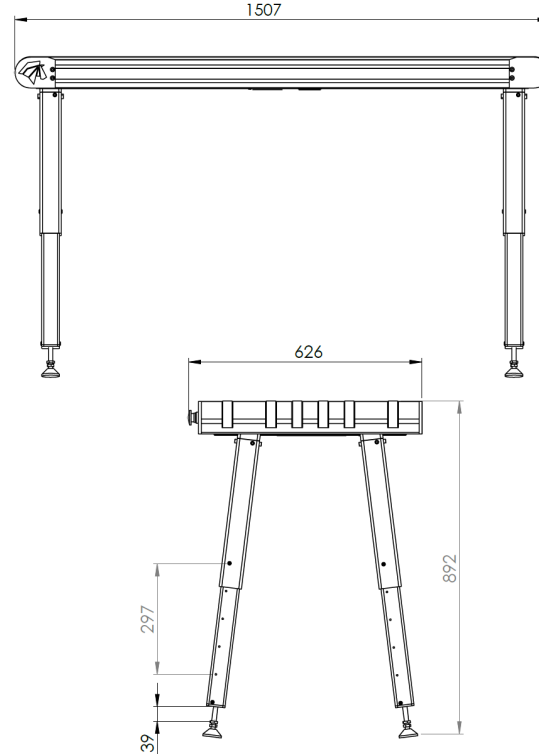
Supplies	
<b>Ink Cartridges</b>	CMYK pigmented: C: 238 ml M: 233 ml Y: 225 ml K: 498 ml  ISO pages: K: 20.000 pages CMY: 16.000 pages
<b>Maintenance</b>	Replaceable service tray
<b>Ink Type:</b>	Pigmented aqueous inks
<b>Average drop volume</b>	10 pl K, 8.5 pl CMY
<b>Nozzle count</b>	59136 (4224 x 14)

Material	
<b>Types</b>	Uncoated Paper, Card board, paper board, wooden boards, paper bags Most porous materials
<b>Width</b>	Depends on transport/installation 600mm (Trojan standard table) 1000mm (Trojan wide table)
<b>Supported image lengths</b>	25,4 mm – 914,4 mm (1 in - 36 in)
<b>Thickness</b>	0 – 99mm (automatic height calibration)

Infrastructure	
<b>Connectivity</b>	Wired connection (802.3 LAN (10/100/1000) Ethernet port) 2 x serial ports (I/O and encoder) USB for scanner Wired LAN
<b>Software:</b>	TrojanControl Software RIP
<b>Hardware:</b>	Windows PC

# Specifications MailTable Standard (MT1)

MailTable 1 Standard	
Speed	Up to 18 ips (27m/min)
Power requirements	100-240V AC – 50/60 Hz (2.5A power supply)
Dimensions	Width: 626 mm (incl Emergency step)  Length: 1507 mm  Height: From 892 mm to 595 mm
Support material width	600 mm
Weight	Tbd
Suction	5 fans adjustable speeds
Belts	6



# Specifications MailTable Wide (MT2)

MailTable 1 Wide	
Speed	Up to 18 ips (27m/min)
Power requirements	100-240V AC – 50/60 Hz (2.5A power supply)
Dimensions	Width: 1026 mm (incl Emergency step)  Length: 2007 mm  Height: From 890 mm to 590 mm (5 positions)
Support material width	1000 mm
Weight	Tbd
Suction	5 fans adjustable speeds
Belts	8

